

twilight

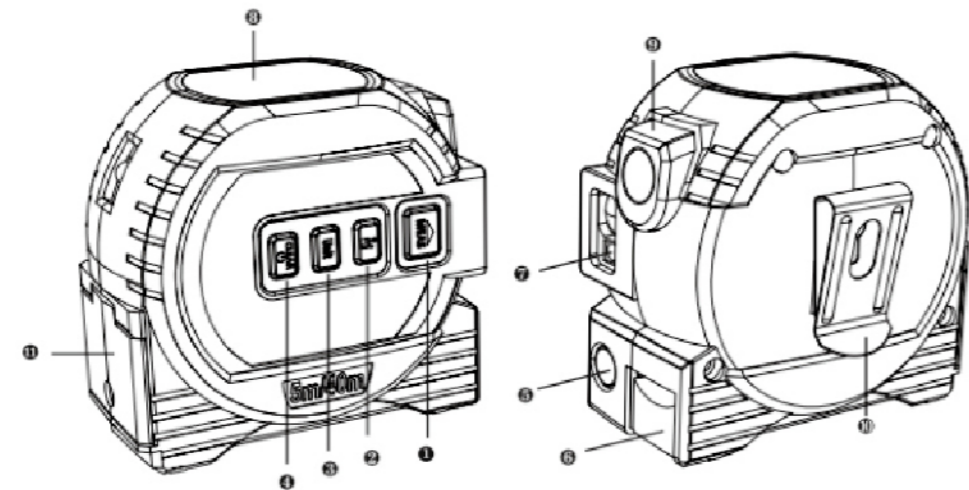
INSTRUMENTOS DE MEDICIÓN INDUSTRIAL

Flexometro digital 8 metros, M&E XI-M8

www.twilight.mx

3-in-1 multifunction tape measure SIZE:210*285MM 2019-7-9 F19070558

3-in-1 multifunction digital tape measure




- ① Measuring/cross horizontal switch
- ② Benchmark/function switching
- ③ Unit switching/data storage
- ④ Shutdown/return
- ⑤ Cross laser head
- ⑥ Steel tape measure tape
- ⑦ Laser
- ⑧ LCD screen
- ⑨ Tape measure unlock button
- ⑩ Stainless steel back button
- ⑪ Battery compartment

Function

Three functions: tape measure, laser distance measure, cross laser line

Tape measure: pull out the tape if will auto stop,press the 9 it will back.

Laser distance meter:

- ① Measure/cross laser line
short press ① open the machine,press it again will measure distance.
Long press ① about 2 seconds will Continuous measurement ,
Long press ① about 5 seconds open the cross laser line,short press back to distance measure.
- ① Measure reference/function change
short press ② change the measure function,distance,area,volume,anglechange the reference point.
short press ② till show '+' flash on the screen,it will start accumulate operation
short press ② till show '-' flash on the screen,it will start subtraction operation
short press ② till show '■' on the screen,it will start area measure operation
short press ② till show '■' on the screen,it will start volume measure operation
short press ② till show '∠' on the screen,start trigonometricfunction
short press ② till show '∠' on the screen,start trigonometricfunction
Long press ② button 2 second still show '■' on the screen,it mean the buttom

正

measure reference,if show '■' on the screen,it mean the measure point is front reference.

- ③ Unit change/data record/date clear
short press ③,it will show like '■',it show the recorde data,in this mode,long press the button,The history date will be cleared and show '■'
Long press ③,can change the unit.
- ④ Back/power off
short press ④,the last operation will be back to last active.
Long press ④,will be power off.

Technology

| | |
|--|------------------------------|
| Technical Specifications | |
| Laser measurerange | 0.2 to 40m |
| Measuring accuracy | ±2mm |
| Measuring units | m,in,ft |
| Laser Class | Class II |
| Laser Type | 650 nm, <1mW |
| Area, Volume Calculations | √ |
| Indirect measurement using Pythagoras | √ |
| using Pythagoras Addition/Subtraction | √ |
| Continuous Measurement | √ |
| Min/Max Distance Tracking | √ |
| Display illuminationand multi-line display | √ |
| Beep indication | √ |
| History measurement records | 20 |
| Keyboard Type | Super Soft-Touch (Long life) |
| Operating Temperature | 0°C to 40°C(32°F to 104°F) |
| Storage Temperature | -10°C to 60°C(14°F to 140°F) |
| Batteries | Type AAA 2 x 1.5V |
| Auto. laser switch-off | After 30 seconds |
| Auto instrument switch-off | After 180 seconds |
| Dimension | 85mm*82mm*56mm |
| Tape range | 0-5m |
| Cross laser line | red |

反

twilight

INSTRUMENTOS DE MEDICIÓN INDUSTRIAL



LLÁMANOS

+52(81) 8115-1400 / +52 (81) 8173-4300

LADA Sin Costo:
01 800 087 43 75

E-mail:
ventas@twilight.mx

www.twilight.mx



/ [twightsadecv](https://www.facebook.com/twightsadecv)



/ [twightsadecv](https://twitter.com/twightsadecv)



/ [twightsadecv](https://www.youtube.com/twightsadecv)